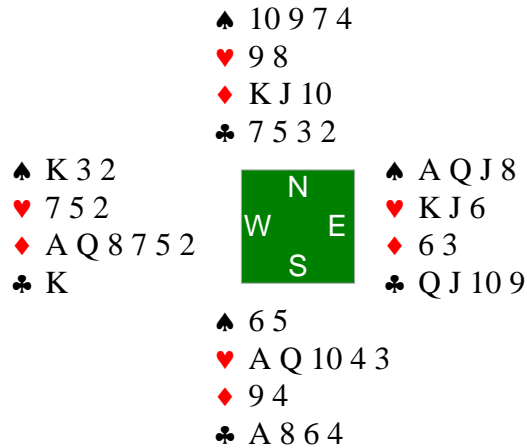


Board 1
 North Deals
 None Vul



E 2N; EW 2♠; E 2♦; E 1♥; W 1♦; Par -120; E 1N+1

<i>West</i>	<i>North</i>	<i>East</i>	<i>South</i>
	Pass	1 ♣	1 ♥
2 ♦	Pass	2 NT	Pass
3 NT	All pass		

With the interference 2 ♦ by West is not game forcing but shows 10+ points and is forcing for one round. East will show their heart stopper by bidding notrump and West will raise to game. South will lead a 4th best heart hoping that partner has either the Jack or they will get in later and lead a heart through the declarer. East will make the contract if they go after clubs but if they go after diamonds they likely doom for down 2.

Board 2
 East Deals
 N-S Vul

♠ 5 3	♠ Q 8 6 2	♠ 9 4
♥ A K 9 7	♥ J 8 3 2	♥ 10 6
♦ Q 7 5 3	♦ A	♦ K 10 9 8 4 2
♣ K 8 5	♣ 9 7 6 2	♣ A Q 4

♠ A K J 10 7
♥ Q 5 4
♦ J 6
♣ J 10 3

EW 4♦; EW 1N; NS 1♠; EW 1♥; EW 1♣; Par -130: EW 2♦+2

<i>West</i>	<i>North</i>	<i>East</i>	<i>South</i>
3♦	3♠	2♦	2♠
		All pass	

If West leads a high heart they should be able to give partner a ruff. Given the stiff diamond ace in dummy East should be able to find the club switch and the defense able to collect 6 tricks for down 2 and a good matchpoint score of +200.

Board 3
 South Deals
 E-W Vul

♠ Q 7 3 2	♠ 10 9 8 5	♠ A K J 6
♥ 10 8	♥ 6 5 2	♥ A Q J 7
♦ 9 6 3 2	♦ 10 7 5	♦ A 8
♣ 6 3 2	♣ A K 5	♣ Q 10 7

♠ 4
♥ K 9 4 3
♦ K Q J 4
♣ J 9 8 4

EW 3♠; EW 1N; EW 1♥; NS 1♦; NS 1♣; Par -140: EW 2♠+1

<i>West</i>	<i>North</i>	<i>East</i>	<i>South</i>
Pass	Pass	2 NT	Pass
			All pass

After two rounds of diamonds declarer will cross to dummy and try the failing heart finesse. The defenders will likely collect two diamonds, two clubs, and one heart but this chances for both an extra diamond and/or club.

Board 4

West Deals

Both Vul

	♠ Q 5	
	♥ A 10 3	
	♦ 10 8 6 4	
	♣ K 8 4 2	
♠ K 10 7 6 3		♠ A 8 4
♥ Q 9		♥ J 8 7 5
♦ A K J 7 2		♦ 5
♣ Q		♣ J 9 7 6 5
	♠ J 9 2	
	♥ K 6 4 2	
	♦ Q 9 3	
	♣ A 10 3	


EW 3♠; EW 1N; EW 2♦; EW 1♥; EW 1♣; Par -140; EW 1♠+2

<i>West</i>	<i>North</i>	<i>East</i>	<i>South</i>
1 ♠	Pass	2 ♠	Pass
3 ♦	Pass	3 ♠	All pass

East with 3 spades and a singleton should have no problem raising spades. West will make a natural game try by bidding 3 ♦, which East will reject. With a friendly diamond layout West should have no problem collecting 9 tricks (4 spades, 4 diamonds, 1 diamond ruff).

Board 5

North Deals
N-S Vul

♠ K Q 10 4		♠ 8 2
♥ A 6		♥ 10 9 7 3 2
♦ 7 6 4		♦ Q 8 3
♣ A J 10 2		♣ K 4 3
		
		♠ A 5 3
		♥ 5
		♦ K 9 5 2
		♣ 9 8 7 6 5
		♠ J 9 7 6
		♥ K Q J 8 4
		♦ A J 10
		♣ Q

NS 3♥; EW 2♠; EW 3♣; EW 1♦; Par +100; EW 3♠×-1; EW 4♣×-1

<i>West</i>	<i>North</i>	<i>East</i>	<i>South</i>
	Pass	Pass	1♥
Dbl	2♥	3♣	3♥
All pass			

North with 5 hearts might be tempted to bid a preemptive 4 hearts but with a balance 5-3-3-2 shape they should probably just give a simple or preemptive raise. East/West might compete in clubs. The defenders should be able to find their 4 tricks to hold the contract to nine tricks.

Board 6
 East Deals
 E-W Vul

♠ 4 3		♠ A K 10
♥ Q J 8 6 4 2		♥ 7
♦ 5		♦ 10 4 2
♣ 9 7 5 4		♣ A Q 10 8 6 2
	<div style="display: inline-block; background-color: #008000; color: white; padding: 5px; border: 1px solid black;"> N W E S </div>	♠ J 9 8 7 5 2
		♥ K
		♦ K Q J 3
		♣ J 3
		♠ Q 6
		♥ A 10 9 5 3
		♦ A 9 8 7 6
		♣ K

NS 5N; NS 5♦; NS 5♣; NS 3♥; NS 2♠; Par +460: NS 3N+2

<i>West</i>	<i>North</i>	<i>East</i>	<i>South</i>
		Pass	1 ♥
Pass	2 ♣	Pass	2 ♦
Pass	3 ♣	Pass	3 ♦
Pass	3 NT	All pass	

East might be tempted to open 2 ♠ but with nine of their ten points outside the spade suit it does not feel right. North/South will likely find their way to 3 NT contract after a 2/1 auction. Declarer after getting the good news about the jack of clubs should have no problem collecting 11 tricks.

Board 7
 South Deals
 Both Vul

♠ 7 6	♠ K J 3	♠ 10 8 5 4 2
♥ A K J 7	♥ 9 5 2	♥ 8 3
♦ A K 7	♦ Q 10 2	♦ 8 6 3
♣ A J 9 5	♣ K 7 3 2	♣ Q 10 4
	<div style="display: inline-block; background-color: #008000; color: white; padding: 5px; text-align: center; border: 1px solid black;"> N W E S </div>	
	♠ A Q 9	
	♥ Q 10 6 4	
	♦ J 9 5 4	
	♣ 8 6	

EW 2N; EW 2♠; EW 2♥; EW 3♣; EW 1♦; Par -120; EW 1N+1

<i>West</i>	<i>North</i>	<i>East</i>	<i>South</i>
			Pass
2 NT	Pass	Pass	Pass

While transferring to a major with a weak is recommend over 1 NT this might not be the best course over a 2 NT bid. Over 2 NT forcing to the 3-Level when only a 7 card fit is guarantee can be risky. Also a 2 NT opening bid is much stronger than a 1 NT opening bid and it is more likely declarer can have a path to 8 tricks in their own hand.

In NT will have 3 clubs, 3 hearts(taking the finesse) and 2 diamonds. In spades declarer will try to draw trump and run their good side tricks, they might run into trouble and only collect 8 tricks but 9 tricks in spades is likely.

Board 8

West Deals
None Vul

	♠ A K 10 7 6 3	
	♥ K J 8	
	♦ 5	
	♣ A 10 5	
♠ J 8 5		♠ Q 2
♥ Q 9 7 3 2		♥ A 5
♦ A J 10 9 8		♦ 6 3 2
♣ —		♣ K Q 9 8 4 3
	♠ 9 4	
	♥ 10 6 4	
	♦ K Q 7 4	
	♣ J 7 6 2	

NS 2N; NS 2♠; S 1♥; EW 1♦; NS 1♣; Par +120: NS 2N=

<i>West</i>	<i>North</i>	<i>East</i>	<i>South</i>
Pass	1 ♠	2 ♣	Pass
2 ♥	2 ♠	Pass	Pass
3 ♦	All pass		

West might become aggressive in the auction after passing initially. 2♥ by West can not be forcing as if they had a good hand they would have open the bidding. North will bid spades twice and West will mention diamond likely buying the contract, although some North might be tempted to bid spades a third time.

In diamonds West has a lot of work to do and will go down either 1 or 2 tricks. In spades declarer will have trouble playing out from their hand the whole deal, though the opponents will come to rescue as they have to lead something.

Board 9

North Deals
E-W Vul

	♠ J 8		
	♥ A J 9 4 2		
	♦ A 6		
	♣ A Q 10 3		
♠ Q 9 6		♠ A 10 5 4 2	
♥ 3		♥ K Q 10	
♦ K Q 9 5 4	W N E	♦ J 2	
♣ K 9 7 2	S	♣ 8 6 4	
	♠ K 7 3		
	♥ 8 7 6 5		
	♦ 10 8 7 3		
	♣ J 5		

NS 3♥; EW 1N; EW 1♠; N 1♦; Par +140: NS 2♥+1

West	North	East	South
	1♥	1♠	Pass
2♥ ¹	Pass	2♠	All pass

1. Limit Raise or better in spades

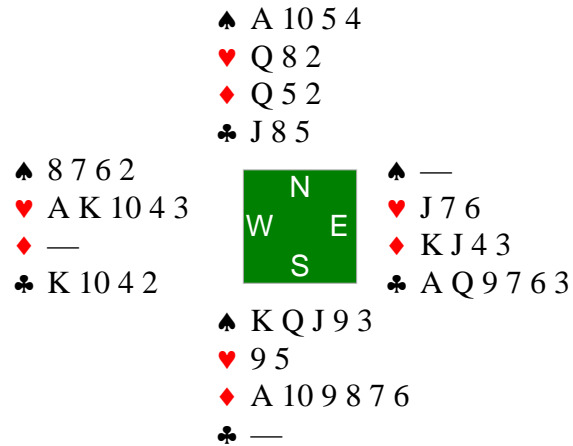
Contracts will be wide ranging on this deal from 1 NT, 3♥ or 4♥ by North and 2 or 3♠ by East.

Opening 1 NT with the North hand is not completely unreasonable but if South gave a simple raise in hearts North would probably bid game.

In notrump declarer will struggle with hearts not breaking but if they are able to take the club finesse they can collect 1 spade, 3 clubs, 1 heart, 1 diamond for down 1. In hearts North will fair better and can collect 9 tricks.

In Spades by East declarer will likely come to 8 tricks but the defenders might get 6 tricks if they find a club ruff.

Board 10
 East Deals
 Both Vul



EW 6♣; E 5♥; W 4♥; NS 2♠; EW 1N; NS 2♦;
 Par -1100: NS 6♦×-4; NS 6♠×-4

<i>West</i>	<i>North</i>	<i>East</i>	<i>South</i>
		1 ♣	1 ♠
2 ♥	2 ♠	3 ♥	4 ♠
5 ♣	All pass		

East with a void and easy rebid will open 1 ♣. East/West will out compete the opponents and most likely land in 5 clubs. West will get hearts into the auction by bidding 2 ♥ which is not game forcing shows 10+ points, 5+ hearts and forcing for one round. East will raise hearts, South with great shape might try to obscure the auction a little by jumping to 4 ♠ either as a sacrifice or to make. West will show the double fit by offering clubs, and East with extra clubs will probably pass. Note when evaluating the West hand having 4 little spades makes the hand stronger, because it means the partnership has no wasted values in the spade suit and is likely dealing with a 30 point deck instead of 40 point deck.

In hearts West can collect 11 tricks unless North leads a club. They need make sure to manage how they draw trump correctly to secure the contract. Hearts will score better than a club contract.

In spades declarer will not have fun with 4-0 break and the ace of diamonds getting ruff and might only take 7 tricks.

Board 11
 South Deals
 None Vul

♠ Q 7 2	♠ 10 4	♠ A K J 6
♥ A Q 6 2	♥ 9 7	♥ K J 10
♦ A 7	♦ Q 6 5 3	♦ K J 8
♣ A K 8 6	♣ J 10 5 3 2	♣ Q 9 7

♠ 9 8 5 3	<table style="border: 1px solid black; background-color: #008000; color: white; width: 40px; height: 40px; margin: auto;"> <tr><td style="text-align: center;">N</td></tr> <tr><td style="text-align: center;">W E</td></tr> <tr><td style="text-align: center;">S</td></tr> </table>	N	W E	S	♠ 9 8 5 3
N					
W E					
S					
♥ 8 5 4 3		♥ 8 5 4 3			
♦ 10 9 4 2		♦ 10 9 4 2			
♣ 4		♣ 4			

EW 7N; EW 7♠; EW 7♥; EW 5♦; EW 5♣; Par -1520; EW 7N=

<i>West</i>	<i>North</i>	<i>East</i>	<i>South</i>
			Pass
1 ♣	Pass	1 ♠	Pass
2 NT	Pass	7 NT	All pass

This is an auction that does not happen often. West will start the bidding and East will respond a spade. West will then jump to 2 NT showing 18-19 balance a bid partner will not believe. East knowing that their side has either 36 or 37 points can just bid the grand slam though some might check for aces if they can.

Board 12
 West Deals
 N-S Vul

♠ K Q J 3	♠ 10	♠ 8 6 4
♥ 8 7	♥ 10 9 5 2	♥ A J 6 4 3
♦ K 3	♦ J 9 8 6 4	♦ Q
♣ K Q 9 8 6	♣ A J 2	♣ 10 7 5 3

♠ A 9 7 5 2	<table border="1" style="background-color: #008000; color: white; width: 40px; height: 40px; margin: auto;"> <tr><td style="text-align: center;">N</td></tr> <tr><td style="text-align: center;">W E</td></tr> <tr><td style="text-align: center;">S</td></tr> </table>	N	W E	S	♠ 8 6 4
N					
W E					
S					
♥ K Q		♥ A J 6 4 3			
♦ A 10 7 5 2		♦ Q			
♣ 4		♣ 10 7 5 3			

NS 5♦; NS 1N; NS 1♠; EW 1♣; Par +600; NS 5♦=

<i>West</i>	<i>North</i>	<i>East</i>	<i>South</i>
1♣	Pass	1♥	1♠
1NT	Pass	2♣	2♦
3♣	3♦	All pass	

North/South should be able to find their diamond fit and out bid the opponents to win the auction. Declarer should have straight forwarded cross/ruff line to take 11 tricks.

Board 13
North Deals
Both Vul

♠ 9 7 6 5	♠ —	♠ A 10 4 3
♥ A J 9 8	♥ Q 4	♥ 10 7 6 5 3 2
♦ 5 4	♦ K J 9 8 3	♦ 2
♣ 10 8 3	♣ K Q 7 5 4 2	♣ J 6

♠ K Q J 8 2	<table border="1" style="border-collapse: collapse; width: 40px; height: 40px; margin: auto;"> <tr><td style="padding: 2px;">N</td></tr> <tr><td style="padding: 2px;">W E</td></tr> <tr><td style="padding: 2px;">S</td></tr> </table>	N	W E	S	♠ —
N					
W E					
S					
♥ K		♥ —			
♦ A Q 10 7 6		♦ —			
♣ A 9		♣ —			

NS 6♦; NS 6♣; NS 5N; NS 3♠; EW 1♥;
Par +1370: NS 6♣=; NS 6♦=

<i>West</i>	<i>North</i>	<i>East</i>	<i>South</i>
	1 ♦	Pass	1 ♠
Pass	2 ♣	Pass	2 ♥ ¹
Pass	3 ♣ ²	Pass	3 ♦ ³
Pass	4 ♣	Pass	4 ♦
Pass	4 ♠ ⁴	Pass	5 ♦

All pass

1. 4th suit forcing to game
2. Natural , 5-5
3. Diamonds, recall game forcing auction
4. Control bid

There are not many bids to show a 6-5 hand in the auction. With 10-13 points a common treatment is to bid these hands as if they are 5-5. Players should be reluctant to make a reverse or strong jump shift with such low point counts. This will lead for North choosing to open 1 ♦ instead of their longest suit clubs. Note if the 6 card suit is the higher ranking suit there is no problems.

This is an example of how complicated an auction can get playing just one simple convention. 2 ♥ by South is artificial and shows values in this case enough values to force to game, it says nothing about the heart suit. 4th suit forcing is a common bridge convention and can help on a lot of auction to set up a game force and allow the partnership to explore the right strain. It will be hard for North to show a spade void and North/South will likely settle for 5 ♦ although South with a nice 19 count could just go for it and bid slam.

Board 14
 East Deals
 None Vul

♠ J 9	♠ A 10 8 2	♠ K 5 4
♥ K 4	♥ A 10 7	♥ J 6 3
♦ A K J 5 3	♦ Q 9 7 2	♦ 10 6 4
♣ K Q J 5	♣ 4 3	♣ A 9 6 2

♠ Q 7 6 3
♥ Q 9 8 5 2
♦ 8
♣ 10 8 7

EW 4♣; EW 2N; NS 2♠; NS 2♥; EW 3♦; Par -130: EW 4♣=

<i>West</i>	<i>North</i>	<i>East</i>	<i>South</i>
		Pass	Pass
1 ♦	Pass	1 NT	Pass
3 ♣ ¹	Pass	3 NT	All pass

1. Strong jump shift

West will show 18+ points and diamonds and clubs. West could similarly treat their hand as a balance 18-19 and just bid 3 NT over 1 NT. East with a completely balance hand and honors in both majors will probably try to make 3 NT best on power. Some player might elect to raise clubs and the partnership will land in 5 ♣ instead of 3 NT. Bidding 5 of minor requires taking 11 tricks a difficult task and at matchpoints 3 NT will score much better.

Here South should have no problem leading a 4th best heart. Declarer should duck the heart in dummy to guarantee at least one stopper in dummy. Declarer will try to make the contract by taking the diamond finesse which will fail and let the defenders collect 6 tricks.

Board 15
 South Deals
 N-S Vul

♠ A 10 8 6	♠ K 9 5 3	♠ 4 2
♥ 2	♥ K 7 6 4	♥ A J 10 8 5
♦ 9 8 3	♦ J 6 4	♦ K
♣ Q 9 8 5 4	♣ 10 3	♣ A K J 6 2

♠ Q J 7	♠ Q J 7
♥ Q 9 3	♥ Q 9 3
♦ A Q 10 7 5 2	♦ A Q 10 7 5 2
♣ 7	♣ 7

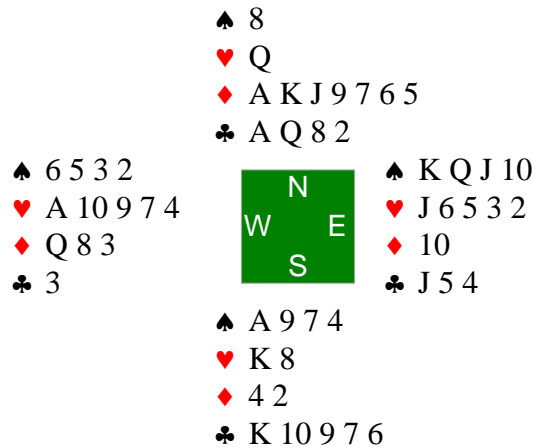
EW 5♣; EW 1N; NS 2♦; NS 1♠; Par -400; EW 5♣=

<i>West</i>	<i>North</i>	<i>East</i>	<i>South</i>
			1♦
Pass	1♥	2♣	Dbl ¹
3♣	All pass		

1. Support Double, shows 3 hearts

South with a nice 11 count, support for both majors, and an easy rebid will likely start the auction with 1♦. East resort to mentioning their clubs after North steals their ♥ bid. North/South could find a path to compete in diamonds but this will only push West to bid 4♣. Declarer should have no problem coming to 11 tricks by ruffing 3 hearts in dummy to set up the East long heart.

Board 16
 West Deals
 E-W Vul



NS 6N; NS 6♦; NS 6♣; EW 3♥; EW 1♠; Par +990: NS 6N=

<i>West</i>	<i>North</i>	<i>East</i>	<i>South</i>
Pass	1♦	Pass	1♠
Pass	3♦	Pass	3NT
All pass			

North does not have a rebid problem on this hand. North has a very strong playing hand much more than their 14 HCP would indicate. North can make a jump rebid in diamonds showing 15-17 points and 6+ diamonds, this bid would be invitational to game. North hand with 8 playing tricks in notrump could also upgrade the hand to make a strong jump shift by bidding 3♣.

Players that make a strong jump shift in clubs could find a path to the excellent 6♣ contract and get the slam bonus. Those that land in 3NT will only take 9 tricks unless they find the ♦Q to make 12 tricks.

Board 17
 North Deals
 None Vul

♠ A Q 10 6 3	♠ 4 2	♠ J 8
♥ 6 5	♥ K 4 3	♥ A Q J 8 7 2
♦ A 8	♦ Q J 9 6 4	♦ K 10 2
♣ A 5 4 3	♣ K 10 8	♣ J 2
	<div style="display: inline-block; background-color: #008000; color: white; padding: 5px; text-align: center; border: 1px solid black;"> N W E S </div>	
	♠ K 9 7 5	
	♥ 10 9	
	♦ 7 5 3	
	♣ Q 9 7 6	

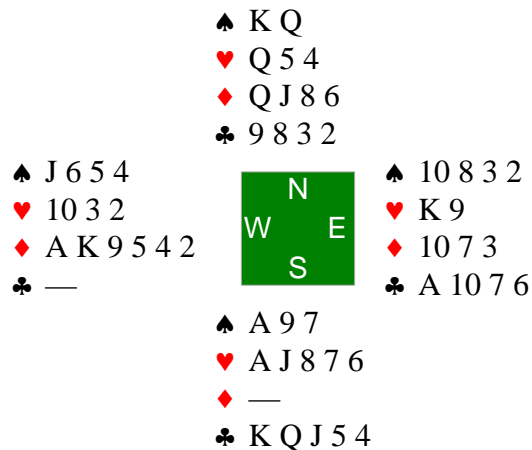
EW 7♥; EW 6N; EW 5♠; W 4♣; EW 3♦; E 3♣; Par -1510; EW 7♥=

<i>West</i>	<i>North</i>	<i>East</i>	<i>South</i>
	Pass	1♥	Pass
1♠	Pass	2♥	Pass
4♥	All pass		

East will rebid 2♥ showing 6+ hearts on this auction. After East shows 6+ hearts, West knows they have 8 card major suit fit and the values in game but not slam and should just bid 4♥. West could make things complicated on their second bid but all roads should lead to 4♥.

In the play with both ♠ K and ♥ K well placed declarer should have no problem coming to 13 tricks. After an opening club lead declarer should rise with the Ace and take the heart finesse, cross in spades by taking the finesse and repeat the heart finesse.

Board 18
 East Deals
 N-S Vul



S 6♥; N 5♥; NS 4N; S 5♣; N 4♣; NS 1♠; NS 1♦; Par +1430: S 6♥=

<i>West</i>	<i>North</i>	<i>East</i>	<i>South</i>
		Pass	1♥
3♦	3♥	Pass	4♥

All pass

North will have a simple path to find the heart game. East/ West might be tempted to sacrifice in diamonds but will find themselves going for 800 when North doubles. In hearts declarer will should be able to hold the clubs to just one loser by playing two rounds from hand and then finessing the 98 of clubs through the ten. Declarer can bring home the heart suit for no losers if they are careful.

Board 19
 South Deals
 E-W Vul

♠ 5 4 2	♠ J 6	♠ 10 9
♥ —	♥ A J 9 6 5	♥ Q 8 7 4 3 2
♦ J 10 8 3 2	♦ 5 4	♦ A Q 7 6
♣ K J 6 5 4	♣ A Q 10 8	♣ 2

N
W E
S

♠ A K Q 8 7 3
♥ K 10
♦ K 9
♣ 9 7 3

NS 6N; S 5♠; N 4♠; S 5♣; NS 3♥; N 4♣; EW 1♦; Par +990: NS 6N=

<i>West</i>	<i>North</i>	<i>East</i>	<i>South</i>
			1 ♠
Pass	2 ♥	Pass	2 ♠
Pass	3 ♣	Pass	3 NT
Pass	4 ♠	All pass	

When South rebids spades in 2/1 auction this shows a 6th spades , North will the drive to 4 ♠ to play in the 8 card major suit fit. West might be tempted to make an unusual 2 NT bid showing both minors but will probably pass at unfavorable vulnerability. South in 4 ♠ will probably come to 12 tricks with both club honors onside unless East is able to find the heart switch at trick 2.

Board 20
 West Deals
 Both Vul

♠ A Q J 8 7	♠ 10 9 5 4	♠ 6 3
♥ 5 3	♥ 9 4 2	♥ K Q J 7 6
♦ A J 6 5 2	♦ K Q 10 7	♦ 9 8 4 3
♣ 6	♣ Q 10	♣ 9 5

♠ K 2
♥ A 10 8
♦ —
♣ A K J 8 7 4 3 2

NS 3N; EW 3♦; NS 3♣; EW 1♠; EW 1♥; Par +200: EW 4♦×-1

<i>West</i>	<i>North</i>	<i>East</i>	<i>South</i>
1 ♠	Pass	1 NT ¹	2 ♣
2 ♦	Pass	Pass	3 ♣
Pass	Pass	3 ♦	4 ♣

All pass

1. Forcing

After the interference the 2♦ rebid by West shows a 4th diamond. South will fall in love with their hand and keep bidding clubs. Declarer will make 10 tricks on a diamond lead but on heart lead will just collect 9 tricks with proper defense.

Board 21
 North Deals
 N-S Vul

♠ K 9 6 4 2	♠ A J 7 3	♠ 10 5
♥ 4 3	♥ 9 5	♥ A J 10 7 6
♦ 7 6 4 2	♦ K Q 10 8	♦ A 9 5
♣ A 10	♣ K J 8	♣ Q 5 4

♠ Q 8	♠ 10 5
♥ K Q 8 2	♥ A J 10 7 6
♦ J 3	♦ A 9 5
♣ 9 7 6 3 2	♣ Q 5 4

NS 2N; NS 2♥; NS 3♣; NS 1♠; NS 1♦; Par +120; NS 1N+1

<i>West</i>	<i>North</i>	<i>East</i>	<i>South</i>
	1♦	1♥	1NT
Pass	Pass	Pass	

South will declare in a normal 1 NT contract. West might try their own spade suit but keeping partner happy by leading their suit is always good for the partnership. South rates to take 2 spades, 2 hearts, 3 diamonds, 1 club for 8 tricks. Note interestingly that ♥ 8 becomes a third stopper in the suit.